



# Hunan Huayuan display technology CO.,LTD

## **GH12864-2708**

### **STN DOTS LCD MODULE**

#### **SPECIFICATION**

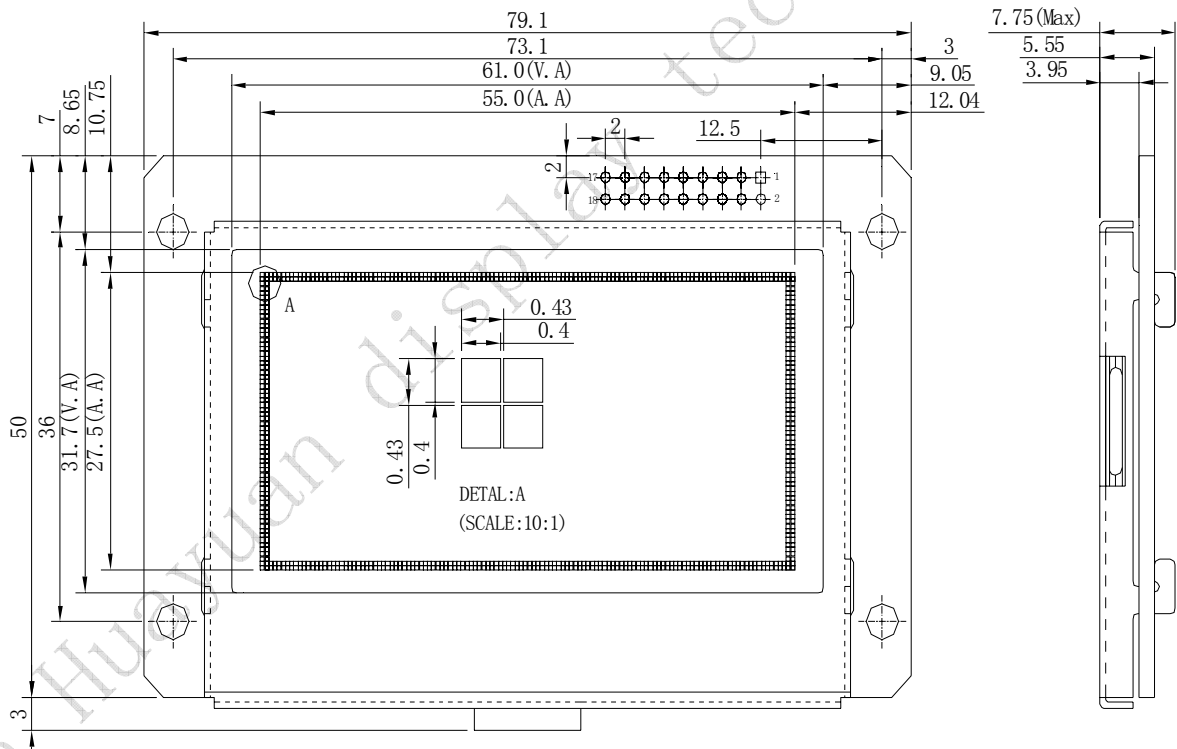
Standard code	Department	Rev No.
		A/0
Checked by	Written by	Date
		2014-02

- 1 GENERAL SPECIFICATIONS
- 2 EXTERNAL DIMENSIONS
- 3 GENERAL SPECIFICATIONS
- 4 ABSOLUTE MAXIMUM RATINGS
- 5 OPTICAL CHARACTERISTICS
- 6 INTERFACE DESCRIPTION
- 7 BLOCK DIAGRAM
- 8 APPLICATION EXAMPLES
- 9 INSTRUCTIONS
- 10 TIMING
- 11 LIQUID CRYSTAL MODULE USE MATTERS NEEDING ATTENTION
- 12 REFERENCE PROGTAM
- 13 RELIABILITY TEST

1、 GENERAL SPECIFICATIONS

Screen size	2.7"(Diagonal)
Display color	Display color: Black Background color: Y/G
Type	STN
View angle direction	6'clock
Driver mode	1/64 DUTY 1/9 BIAS
Backlight	LED
Controller IC	SBN6400G SBN0064G Or compatible IC
Data bus	Parallel port / Serial port
Temperature range	Operation: -20 °C ---- +70 °C Storage: -30 °C ---- +80 °C
Number of Dots	128 x 64
Dot size	0.43 x 0.43mm
Dot pitch	0.4 x 0.4mm
Viewing size	61.0 x 31.7mm
Active area	55.0x 27.5mm
Outline dimension	79.10 x 50.00x 7.75mm Max.

2、 EXTERNAL DIMENSIONS



**3、 ELECTRICAL CHARACTERISTICS**

Parameter	Symbol	Min	Type	Max	Unit	
Supply voltage for logic	$V_{DD}-V_{SS}$	3.1	3.3	3.5	V	
Supply Voltage for LCD Driving	$V_0-V_{dd}$	Ta=0	-	-6.6		-
		Ta=25	-5.7	-6.1		-6.5
		Ta=50	-	-5.6		-
Input Voltage	$V_{IH}$	$0.8 V_{DD}$	-	$V_{DD} + 0.3$	mA	
	$V_{IL}$	0	-	$0.2 V_{DD}$		
	$V_{LED}$	-	3.3	3.5		
Supply current	$I_{DD}$	-	10	15	mA	
Supply Current for LCD Driving	$I_{EE}$	-	-	-		
Supply Current for LED	$I_{LED}$	-	20	30		

**4、 ABSOLUTE MAXIMUM RATINGS**

Parameter	Symbol	Min	Max	Unit	Remark
Supply voltage for logic	VDD-VSS	-0.3	5.0	V	
Supply Voltage for LCD Driving	V0 -VSS	-	-14.0		
Operating temperature	$T_{OP}$	-20	+70	°C	
Storage temperature	$T_{ST}$	-30	+80		
Humidity	RH		90%		

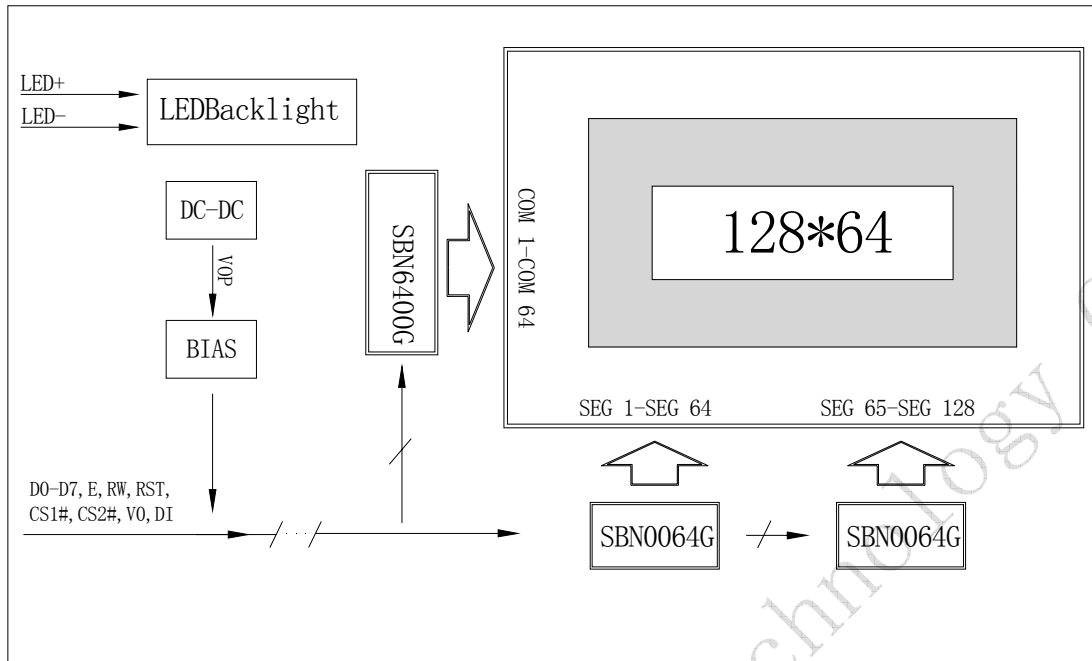
**5、 OPTICAL CHARACTERISTICS**

Item	Symbol	Condition	Typ.	Unit	Remark
Viewing angle	$\varnothing f$	$C_R \geq 2$	40	Radian	$\varnothing f$
	$\varnothing b$		30		$\varnothing b$
	$\varnothing l$		30		$\varnothing l$
	$\varnothing r$		30		$\varnothing r$
Response time	$T_R$	TA=25 °C	120	ms	
	$T_F$		130		
Frame Frequency	$F_{RM}$		64	Hz	
Contrast ratio	$C_R$		6.0	-	

**6、 INTERFACE DESCRIPTION**

<b>PIN</b>	<b>DESC</b>	<b>Function</b>
1	VDD	Power
2	VSS	Ground
3	VADJ	Contrast control
4-11	DB0-DB7	Data
12	CS1	Chip enable 1
13	CS2	Chip enable 2
14	RST	Reset
15	RW	Read and write select
16	DI	Instruction and data select
17	E	Read and write enable
18	VLCD	LCD voltage output
19	VLED+	Backlight anode
20	VLED-	Backlight cathode

7、 BLOCK DIAGRAM

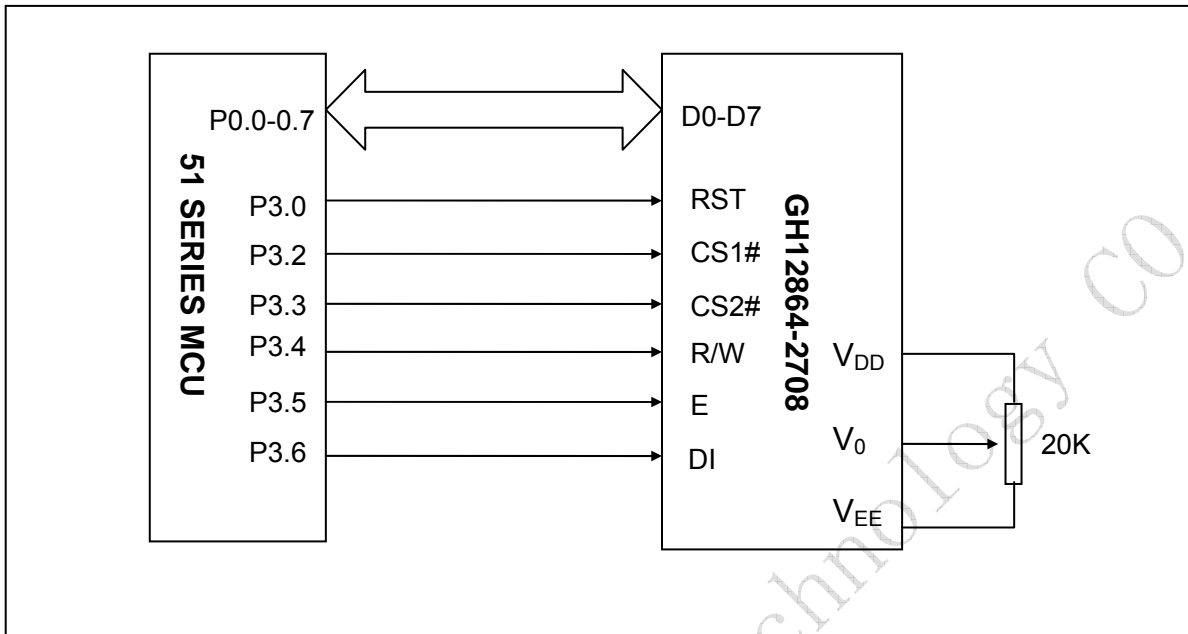


**Note: The serial and parallel connection:**



**Note: Please refer to the physical**  
**Short circuit S product works for serial position;**  
**Short circuit P position products for parallel work;**

8、 APPLICATION EXAMPLES

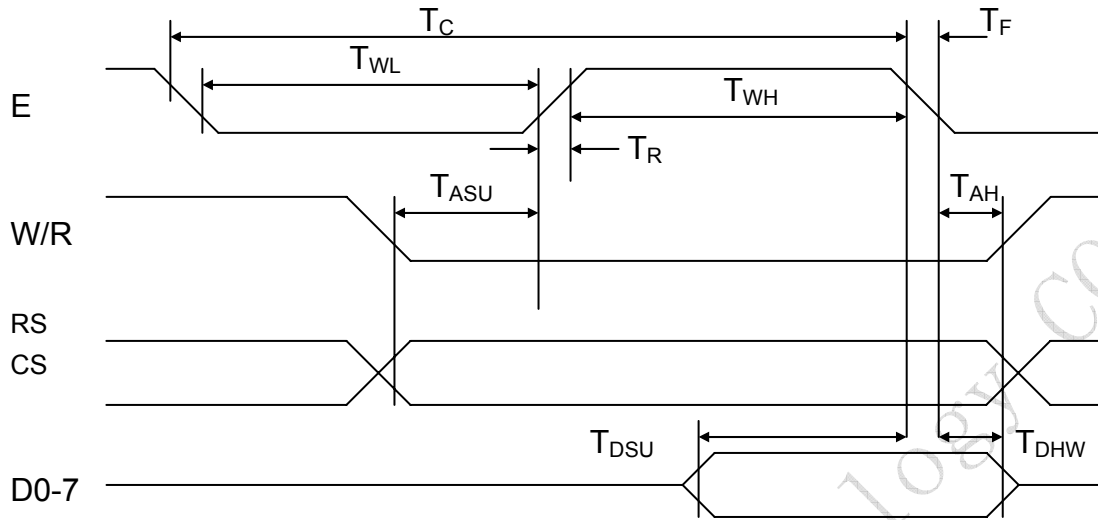


## 9、 INSTRUCTIONS

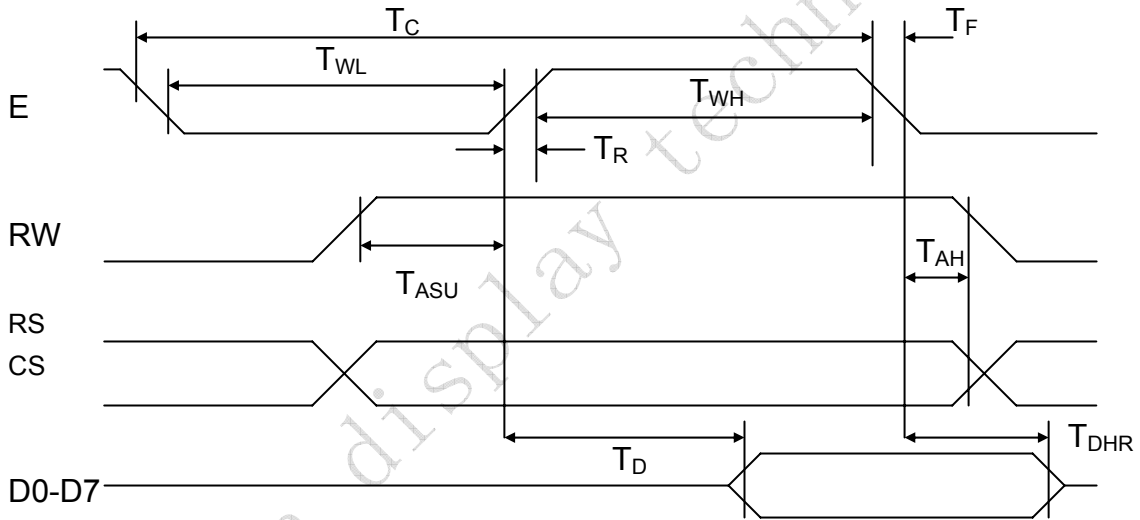
Instructions table

Command	RS	R/W	D7	D6	D5	D4	D3	D2	D1	D0	Function
Display ON/OFF	0	0	0	0	1	1	1	1	1	1/0	To control the display ON or OFF. The internal status and display RAM data are not affected. 0:OFF, 1:ON
Set address (Y address)	0	0	0	1	Y address (0~63)						To set the Y address in the Y address counter.
Set page (X address)	0	0	1	0	1	1	1	Page(0~7)			To set the X address at the X address register.
Display Start Line	0	0	1	1	Display Start Line(0~63)						To indicate the display data RAM displayed at the top of the screen.
Status Read	0	1	Busy	0	ON/OFF	Reset	0	0	0	0	To read status of the LCD controller IC: Busy: 0: Ready, 1: In operation ON/OFF: 0: Display ON, 1: Display OFF Reset: 0: Normal, 1: Reset
Write display data	1	0	Write Data								To write data into display data RAM. Y address is increased by 1 after this command.
Read Display data	1	1	Read Data								To read data from display data RAM to the data bus.

10、TIMING



Write timing



Read timing

Condition: (VDD=5±10%,VSS=0V,Ta=-20~+70°C)

NAME	SYMBOL	MIN	MAX	UNIT
E period	$T_C$	1000	—	ns
E high level width	$T_{WH}$	450	—	ns
E low level width	$T_{WL}$	450	—	ns
E rise time	$T_R$	—	25	ns
E fall time	$T_F$	—	25	ns
Address setup time	$T_{ASU}$	140	—	ns
Address hold time	$T_{AH}$	10	—	ns
Data setup time	$T_{DSU}$	200	—	ns
Date delay time	$T_D$	—	320	ns
Date hold time(write)	$T_{DHW}$	10	—	ns
Date hold time(read)	$T_{DHR}$	20	—	ns



**11、 RELIABILITY TEST**

NO	Test Project	Test Condition	Remark
1	High temperature	60℃±2℃ 24H	After testing, the appearance and electrical performance deficiencies should not happen.
2	Low temperature	-20℃±2℃ 24H	
3	High temperature and humidity test	40℃±5℃×90%RH/24H	
4	Hot and cool shock test	-10℃±2→25℃→70℃±2 (30min) (5min) (30min) 10 cycles	
5	Vibration test	10Hz-50Hz-10Hz Amplitude 1.5mm X、Y、Z each 3H	

**Remark:**

1. Above test number is 2 piece.
  2. Do moistureproof test, should use the pure water (10M Ω resistor ").
  3. individual products caused by electrostatic discharge failure damage, if the products will be reset after the restore to the normal state as a good use.
- When the panel protective film LCM, Tear down the labels slowly (more than a second recommendation).
- 4 Please use the automatic switching menu (or scroll) test mode, test mode of operation.
  - 5 Suggestions Use the menu to adjust the contrast model.

## 12、 LIQUID CRYSTAL MODULE USE MATTERS NEEDING ATTENTION

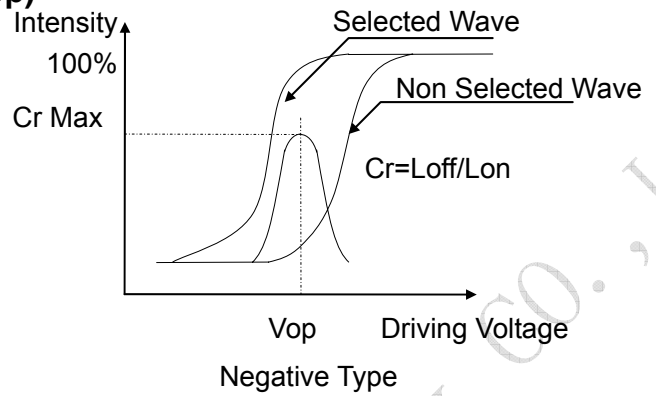
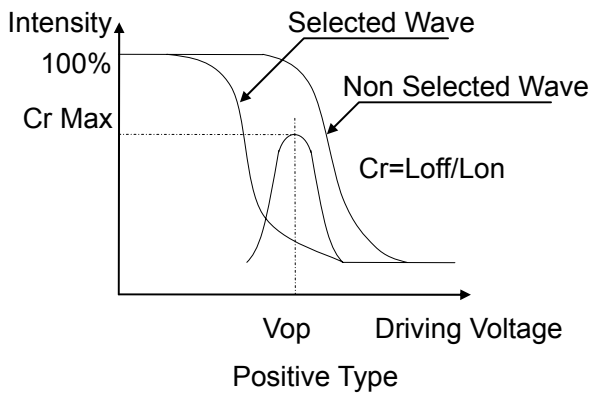
1. When using the liquid crystal module you design your product, pay attention to the liquid crystal perspective and uses your consistent.
2. The LCD screen is the glass based, dropping or with a hard object impact will cause cracking or crushing the LCD screen. Especially in the corner.
3. In spite of the polarizer, liquid crystal surface can inhibit the reflective surface, should be careful not to scratch the surface, generally recommend using the protective screen of transparent plastic material in the liquid crystal surface.
4. If the LCD module storage in the following below the required temperature, liquid crystal material condenses and performance deterioration. If the LCD module storage above the specified temperature, molecular crystal orientation will be transformed into liquid, may not be restored to the original state. Beyond the temperature and humidity range, will cause the polarizer peeling or foaming. Therefore, the LCD module should be stored at the specified temperature range.
5. Such as liquid crystal surface in slobber or drop, should immediately erase, avoid long time after induced color changes or leave a stain. The water vapor will cause erosion of ITO electrode
6. If you need to clean the surface of the LCD screen, should use cotton or soft cloth lightly wipe, is still not clear, smooth and then wipe.
7. LCD module driver shall comply with the provisions of the rating index, and avoid the fault and permanent damage. DC voltage applied to the liquid crystal materials, liquid crystal materials will cause rapid deterioration, should ensure the continuous application of M signal to provide AC waveform. Especially, when a power switch shall comply with the order of power supply, avoid driving latch and DC added directly to the LCD screen.
8. Machine Matters needing attention
  - a) The LCD module is arranged on the high precision of the debugging. To avoid the impact of external force, do not modify or change
  - b) Do not tamper with Any prominent part of the metal frame
  - c) Don't punch a hole in PCB or change in shape, do not move or modify elements.
  - d) Don't touch the conductive rubber, especially in the insert backlight board. (such as EL backlight).
  - e) In the installation of the LCD module, ensure that the PCB was not affected by the twisting or bending force force. Conductive rubber contact is very precise, dislocation slightly in the original basis will lead to the missing pixels.
  - f) To avoid pressure on the metal clamping part, otherwise it will lead to the conductive rubber deformation and lost contact, causing the missing pixels.
9. Static electricity: Because the liquid crystal module internal assembly CMOS circuit, must take the following measures to prevent electrostatic
  - a) The operator
    1. Wear anti-static clothing, otherwise the body will produce static electricity.
    2. Any part of the body of the time should not be exposed conductive parts and modules, such as: integrated circuit pin, copper wire PCB, terminal interface part.
  - b) Equipment
    1. The detachment or friction may cause the equipment to generate static electricity, such as personnel, iron, table etc.

2. the equipment connected to the appropriate resistance (1x108 ohm).
3. Just only Reasonable grounding soldering iron can use
4. If the use of electric screwdriver, electric batch should be well grounded and adapter (brush) isolation
5. normally Should be observed overalls, anti static measurement work benches, for work bench, recommend the use of conductive rubber pad
- c) Floor
  1. The floor is the electrostatic equipment and personnel are an important part of the release. May be due to electrostatic floor insulation cannot release. Set the floor to ground (1x108 Ohm)
- d) Humidity
  1. Probability of proper humidity can reduce static electricity. General relative humidity should be maintained at more than 50%.
- e) Transportation and storage
  1. Because people and packaging materials may be separated or friction caused by static electricity, packaging materials need antistatic treatment. Module should be stored in anti-static bag or other ESD container.
- f) Welding
  1. Welding of I/O terminal only. Use only the reasonable grounding and no leakage of iron. Low temperature tin wire filled with solder paste.
  2. If the use of flux, should cover the liquid crystal surface, prevent solder spatter. After the removal of flux residues.
  3. The welding temperature: 280 ° C+10 ° C
  4. Welding time: 3-4 seconds.
- g) Other: with the protective film attached to the surface of the liquid crystal screen and to prevent scratches on the surface or pollution, in stripping the protective film, should use the static eliminator. Static eliminator should also be installed in the table, from static to prevent
10. operating
  - 1). The drive voltage should be controlled within a specified range, beyond the range will shorten the service life of the liquid crystal
  - 2). Liquid crystal response time will increase with the decrease of temperature
  - 3). When the temperature is higher than the operating temperature range, the liquid crystal display will turn black or dark blue, which may lead to "break" column. No matter what, do not squeeze the display area
  - 4) Mechanical disturbance during operation (such as in the display region extrusion) may lead to "break" column
11. If the outflow of liquid glass layer damaged, wash thoroughly with soap and water come into contact with the body, although very low toxicity, still need to remind the attention
12. Dismantling the LCD module can cause permanent damage, should be strictly prohibited
13. Liquid crystal with image retention afterglow, in order to avoid image afterglow don't long time display fixed pattern. Image persistence is not liquid crystal deterioration, when the display pattern changes will automatically eliminate
14. Do not use a volatile epoxy resin and silicone adhesives, to prevent the resulting Polaroid color
15. To avoid the liquid crystal module long time exposure to sunlight or ultraviolet irradiation
16. Brightness of the LCD module may be due to the coupling of shunt CCFL lead to the metal shell of the

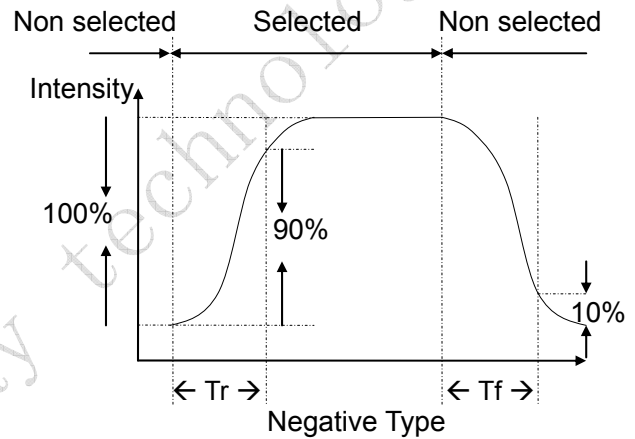
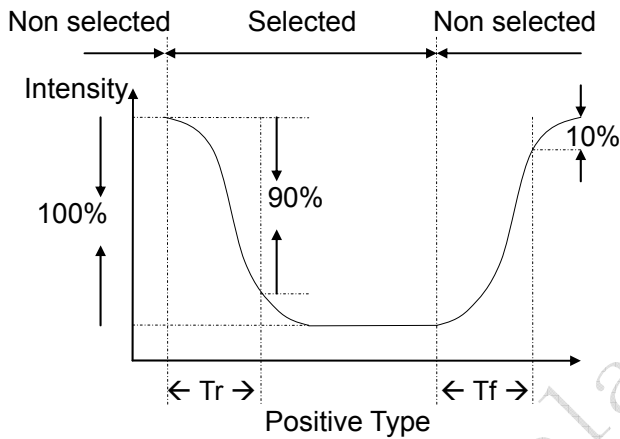
affected. Inverter design should take full account of this part of the leakage. It is necessary to fully assess the LCD module and the inverter is installed in the host apparatus, ensure the requirement of brightness

Hunan Huayuan display technology CO., LTD

**a. Working driving voltage is defined (Vop)**



**b. The liquid crystal response time is defined (Tr, Tf)**



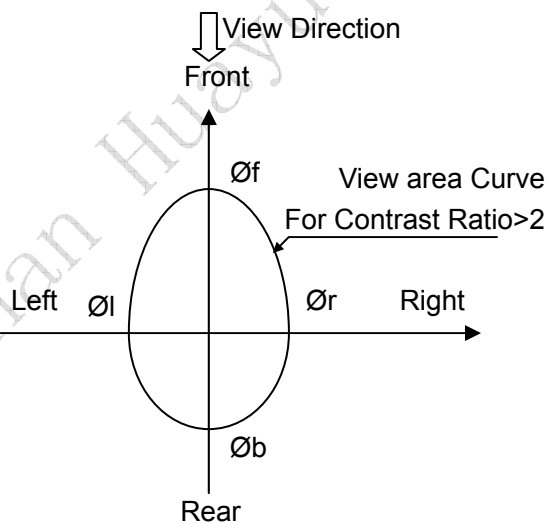
Conditions:

Operating Voltage : Vop  
Frame Frequency : 64 Hz

Viewing Angle: 0°

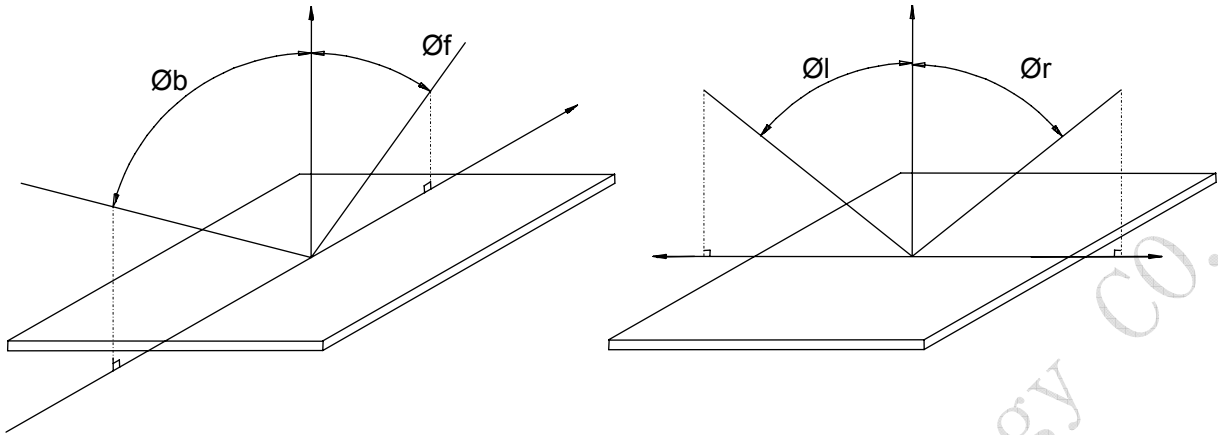
Driving Wave form : 1/N duty, 1/a bias

**c. Definition Viewing Angle**

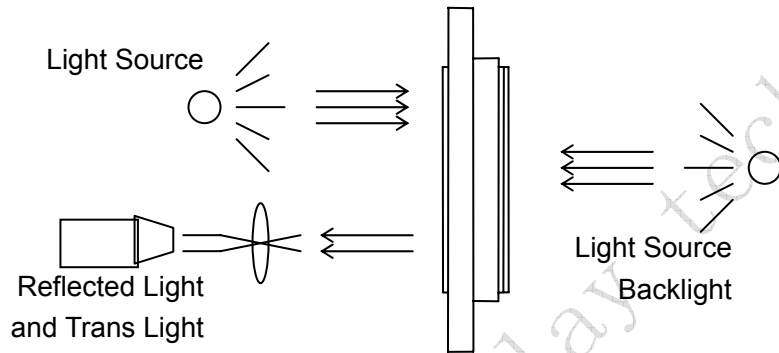


Item	Symbol	Condition	Type	Unit
View Angle Range	Øf	Contrast>2	40	Degree
	Øb		30	
	Øl		30	
	Ør		30	

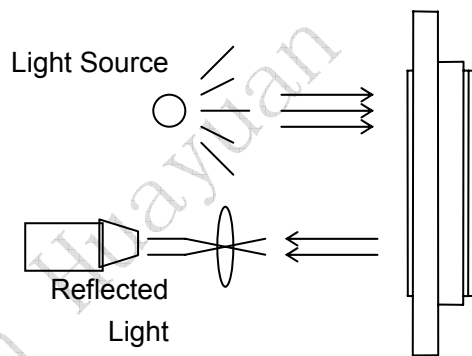
**d. Perspective Definition**



**e. Measurement Method Described**



TransFlective Type



ReFlective Type

### 13、 REFERENCE PROGRAM

```
void initial()
```

```
{  
    RST=0;  
    delay(10);  
    RST=1;  
    delay(50);  
    CS1=1;CS2=1;  
    wcomd(0x3e);  
    wcomd(0x3f);  
    wcomd(0x40);  
    wcomd(0xb8);  
    wcomd(0xc0);  
}
```

```
void disp_num(uchar ch1,uchar ch2)
```

```
{  
    uint i=0,j=0;  
    uchar temp;  
    temp=0xb8;  
    CS1=1;CS2=0;  
    wcomd(0xc0);  
    for(j=0;j<8;j++)  
    {  
        wcomd(temp);  
        wcomd(0x40);  
        for(i=0;i<32;i++)  
        {  
            wdata(ch1);  
            wdata(ch2);  
        }  
        temp++;  
    }  
    CS1=0;CS2=1;  
    temp=0xb8;  
    wcomd(0xc0);  
    for(j=0;j<8;j++)  
    {  
        wcomd(temp);  
        wcomd(0x40);  
        for(i=0;i<32;i++)  
        {
```

```
        wdata(ch1);
        wdata(ch2);
    }
    temp++;
}
}
void disp_bmp(xchar *str1)
{
    uint i=0,j=0;
    uchar temp;
    CS1=0;CS2=1;
    temp=0xb8;
    wcomd(0xc0);
    for(j=0;j<8;j++)
    {
        wcomd(temp);
        wcomd(0x40);
        for(i=0;i<64;i++)
        { wdata(str1[i+j*128]);}
        temp++;
    }
    CS1=1;CS2=0;
    temp=0xb8;
    wcomd(0xc0);
    for(j=0;j<8;j++)
    {
        wcomd(temp);
        wcomd(0x40);
        for(i=0;i<64;i++)
        { wdata(str1[i+j*128+64]);}
        temp++;
    }
}
void main(void)
{
    delay(10);
    initial();
    for(;;)
    {
        disp_bmp(Logo);
        delay(100);
        disp_num(0xff,0xff);
    }
}
```



```

delay(100);
disp_bmp(jieshao);
delay(150);
disp_num(0xaa,0x55);
delay(100);
disp_bmp(Tel);
delay(100);
disp_num(0x00,0xff);
delay(100);
disp_num(0xaa,0xaa);
delay(100);
disp_num(0x55,0x55);
delay(100);
disp_bmp(Tend);
delay(150);
}
}
    
```

**14、 RELIABILITY TEST**

NO	Test Project	Test Condition	Remark
1	High temperature	60°C ± 2°C 24H	After testing, the appearance and electrical performance deficiencies should not happen.
2	High temperature	-20°C ± 2°C 24H	
3	High temperature and humidity test	40°C ± 5°C × 90%RH/24H	
4	Hot and cool shock test	-10°C ± 2 → 25°C → 70°C ± 2 (30min) (5min) (30min) 10 cycles	
5	Vibration test	10Hz-50Hz-10Hz Amplitude 1.5mm X、Y、Z each 3H	

**Remark:**

1. Above test number is 2 piece.
2. Do moistureproof test, should use the pure water (10M Ω resistor ).
3. individual products caused by electrostatic discharge failure damage, if the products will be reset after the restore to the normal state as a good use.
- When the panel protective film LCM, Tear down the labels slowly (more than a second recommendation).
- 4 Please use the automatic switching menu (or scroll) test mode, test mode of operation.
- 5 Suggestions Use the menu to adjust the contrast model.

Hunan Huayuan display technology CO., LTD